



***Your Source For New and Replacement  
Custom Marine Wood Products***

**Standard and Custom Fabricating of:**

**Companionway Doors – Hand Carved Boat Signs  
Deck Hatches - Sea Hoods - Sampson Post – Cabin Tables  
Boom Crutches - Carved Tiller Handles - Magazine Racks  
Cockpit Tables - Dorade Vent Boxes – Instrument Panels  
Wooden Cleats – Drawer Fronts – Boarding Ladders  
Handrails - Custom Replacement Parts  
Replacement Door and Drawer Fronts  
Miscellaneous Accessories**

**730 Willow Avenue, Ithaca, NY 14850**

**607-272-9227**

[www.sailithaca.com](http://www.sailithaca.com)

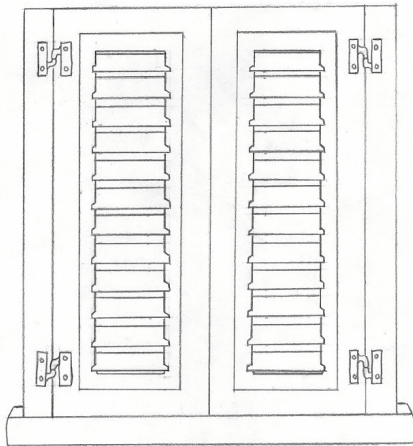
**Bob and John Haney, Owners**

## ***Wood is Good – A Natural Product***

*At Finger Lakes Sailing Services, our mission is to provide new and replacement wood products for sailboats. Each of our product's feature designs by Bob Haney, owner of the business, a master wood craftsman and an experienced sailor. Combining innovative design to meet sailors needs and practical knowledge of cabinetry, our products will become a durable, attractive, and functional part of your boat for years to come. All products are 100% handcrafted at our shop in the heart of the Finger Lakes Region of New York State, from your choice of solid African Mahogany or Plantation Grown Teak – no plywood is used. (Other species available for custom orders.) Products are available either finished or unfinished.*

### ***Our Product Line***

#### **Companionway Doors – With Interchangeable Door Panels**



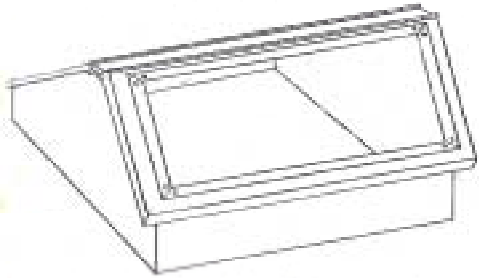
Replace clumsy drop boards and add functionality and class to your boat with new custom sized companionway doors. The doors feature removable brass pintel hinges, allowing easy removal during sailing. Each pair of doors includes a brass pull, frame, and custom threshold. The doors feature interchangeable inserts: solid raised panel, louvered panel with screen, smoked plexiglass panel, or screen panel.

#### **Dorade Box Vent (Standard or Low Profile)**



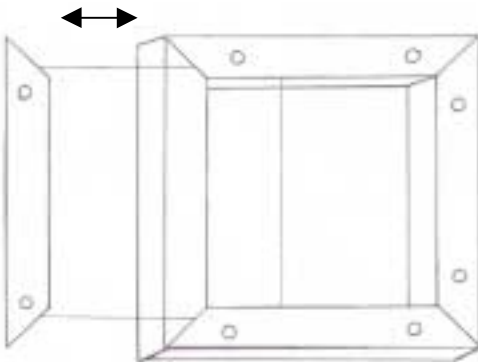
The Dorade Box Vent is an attractive update to any sailboat. Each box is custom sized to your boat's specifications. The Dorade boxes feature dovetail joinery in solid 4/4 wood. Drain system prevents water build-up. Choice of standard cowl vent or low profile stainless steel vent.

## Skyview Deck Hatch



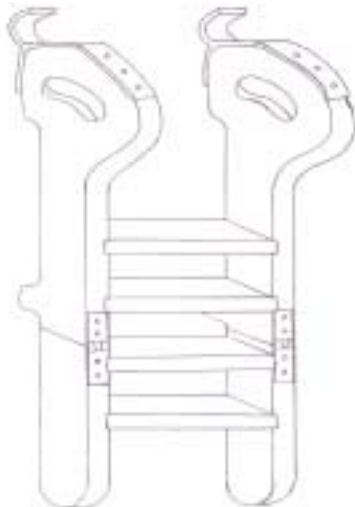
A modern update of an old classic, that adds beauty and functionality. Designed to replace forward hatch's over V-berths, this attractive deck hatch lets in the light, without letting in the water. Constructed of solid 4/4 wood, the hatch features two skylight panels with solid brass piano hinge. To keep the elements out the hatch includes an innovative copper gutter system to channel water away from the neoprene seals. Featuring choice of smoked plexiglass or clear laminate glass skylight panels with brass trims, as well as locking and hold-open hardware

## Instrument Panel



A functional and attractive update to any boat. Custom fit to cover one instrument or an instrument cluster. With a removable clear plexiglass sliding cover, instruments stay protected when away from the boat, and accessible while sailing. Mitered joinery with clear finish on 4/4 solid wood.

## Boarding Ladder (Standard or Deluxe)



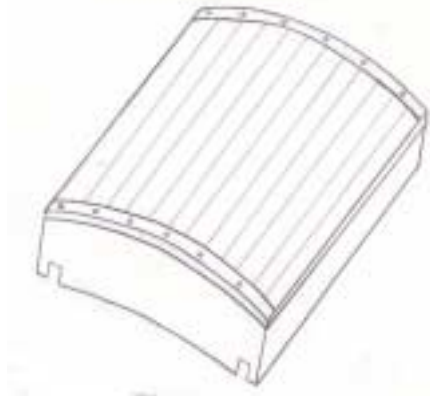
Constructed from 5/4 solid wood, ladders are available in 4, 5, or 6 step models. Featuring solid brass hinges, the ladder folds for easy storage. 1/4" rounded edges and bumpers protect your boat. Deluxe models feature wider steps, top hooks, mounting bracket, and curved handle. Standard model includes brass mounting bracket. Both models have optional non-skid step surface or stainless hardware.

## Hand Carved Signs



For a decorative and traditional look add custom made, hand carved sternboards, quarterboards, trailboards, or ships numbers. Each sign is 100% hand-carved to your specifications and customized to fit your boat. Custom steam bent profiles are available to fit your boats shape. Choose clear finish or painted finish. Gold leafing optional. Choice of layouts including scroll, scallop, open banner, closed banner, or custom designs.

## Companionway Wooden Sea Hood



Replace that old, worn looking sea hood with a beautiful wooden hood. Clear epoxy coating for waterproofing. Glides on brass rails and can be personalized with hand carving at an additional cost. Made of solid wood with brass trims, it is a beautiful as well as functional. Makes a great combination with our companionway door system

## Wooden Cleats, Hand Rails, and Accessories



New 5/4 solid wood handrails. Standard lengths available in 11" increments. Custom lengths, profiles, and bending are available.



Wooden cleats add a distinctive and classic look to any boat. Made to order in custom sizes.



We will custom manufacture any accessory for your boat, including binocular cases, cup holders, magazine racks, and galley accessories. Please contact us for a quotation.